

PRODUCT SPECIFICATION

FIBER PATCH PANEL

INTRODUCTION

LUX offers a traditional fiber patch panel designed for various applications. This fiber patch panel supports 2 x adapter faceplates with maximum fiber splicing up to 48 port (LC) or 24 port (FC/SC/ST) in 1U.

This fiber patch panel is pre-loaded with 2 x 24 fiber splice tray as well as other necessary accessories such as screws, Velcro tie & identification label.



TECHNICAL INFORMATION

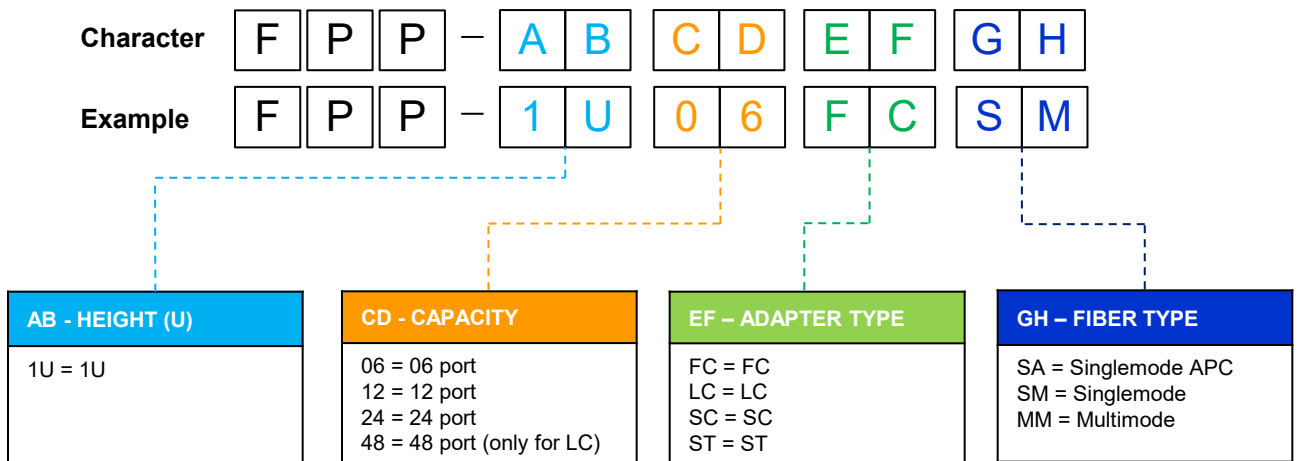
Max. Capacity	48port – LC 24port – FC / SC / ST
Dimension	44mm (H) x 482mm (W) x 355mm (D)
Material	Steel
Color	Black (RAL 9004)
Accessories	24F Splice Tray / M6 Screws / Velcro ties

ENVIRONMENTAL PROPERTIES

Storage and shipment temperature:	- 20°C to 70°C
Operating and Installation temperature:	- 10°C to 60°C
Restriction of Hazardous Substances (RoHS) Compliance:	All materials & components meet the requirements of Directive 2002/95/EC.

ORDERING PART NUMBER

Example: FPP-1U06FCSM = 1U 6 port FC SM Patch Panel



The information and specification in this document are subjected to change without notice