

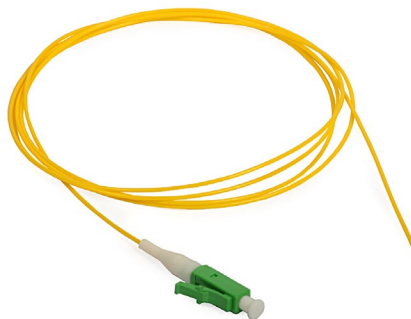
PRODUCT SPECIFICATION

FIBER PIGTAIL

INTRODUCTION

Lux's fiber pigtail offers interconnect and cross-connect installations over entrance facilities, telecommunications rooms, data centers and the desk. Fiber pigtails support network applications in main, horizontal and equipment distribution areas with low smoke zero halogen (LSZH) material outer jacket.

Pre-terminated fiber optic pigtails support fusion splice field termination applications. Fiber pigtails are available in SM, OM1, OM2, OM3, OM4 & OM5, fiber types to meet the demands of Gigabit Ethernet, 10 Gigabit Ethernet and high-speed Fiber Channel.



CONSTRUCTION

Fiber count	Simplex (1-fiber)
Cable Jacket ratings	Low Smoke Zero Halogen (LSZH) per: IEC 60332-1-2, IEC 60332-3-24, IEC 60754-1, IEC 60754-2, IEC 61034-2
Fiber type	Singlemode: OS2 9/125µm Multimode: OM1 62.5/125µm OM2 50/125µm OM3 50/125µm OM4 50/125µm OM5 50/125µm

Connector Type: E2000, FC, LC, SC, ST

Jacket Color	SM: Yellow
	OM1: Orange
	OM2: Orange
	OM3: Aqua
	OM4: Violet
	OM5: Lime Green

OPTICAL PROPERTIES

Connector Insertion loss:	0.25dB max. (≤0.12dB mean) (Grade B for SM, Grade Bm for Multimode)
Connector return loss:	20dB min. (OM1/OM2 PC) 26dB min. (OM3/OM4/OM5 PC) 50dB min. (SM UPC) 60dB min. (SM APC)

PHYSICAL PROPERTIES

Cable diameter (OD):	0.9 mm buffer / 250µm bare
Connector cable retention:	50N @ 0°C 19.4N @ 90°C
Connector durability:	500 cycles
Bend radius, minimum (long term):	10 x Cable Outer Diameter

ENVIRONMENTAL PROPERTIES

Storage and shipment temperature:	-20°C to 60°C
Operating and Installation temperature:	-20°C to 60°C

STANDARDS

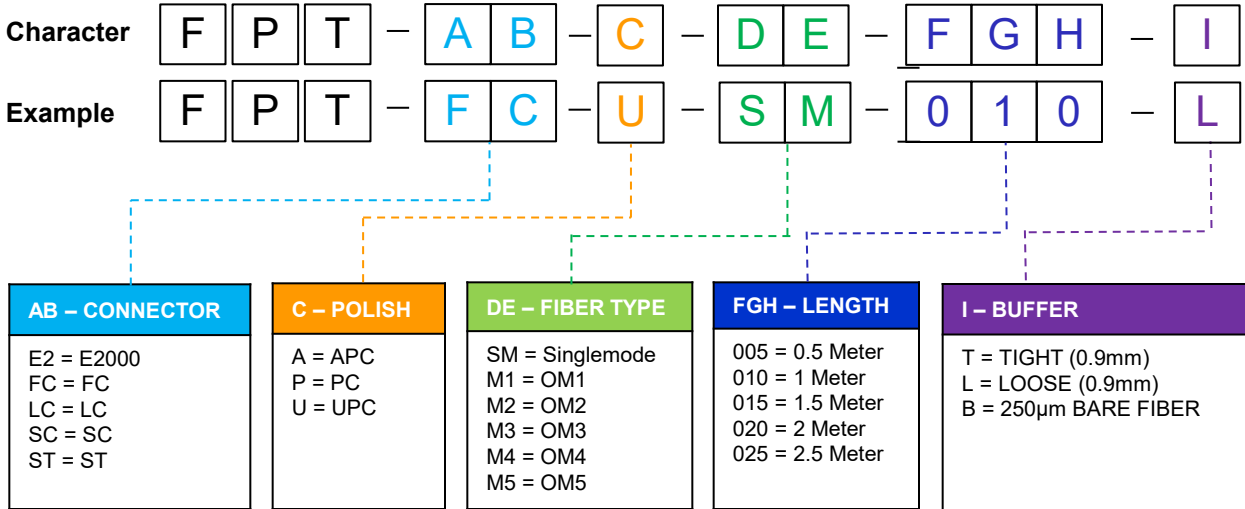
Meets and exceeds ISO/IEC 11801, TIA/EIA-568-D.3, TIA-604-3 (FOCIS-3), TIA-604-10 (FOCIS-10)

Restriction of Hazardous Substances (RoHS) Compliance:	All patch cord components meet the requirements of Directive 2002/95/EC.
---	--

The information and specification in this document are subjected to change without notice

ORDERING PART NUMBER

Example: FPT-LC-P-M5-020-L = LC/PC OM5 LSZH Pigtail 2m (Loose Buffer)



The information and specification in this document are subjected to change without notice