

PRODUCT SPECIFICATION

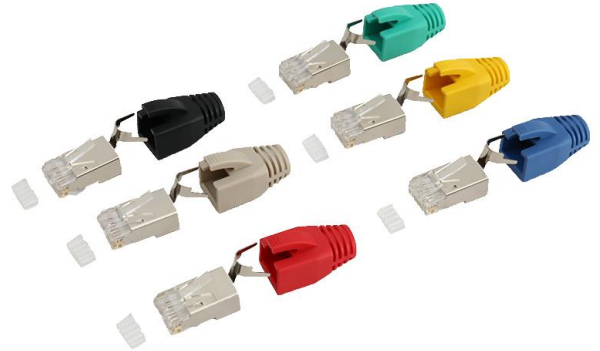
CATEGORY 6_A RJ45 STP PLUG

INTRODUCTION

Lux's reliable, high-quality Category 6_A RJ45 STP Plug can be bundled with Lux's Cat6_A cable. This Cat6_A RJ45 STP plug works well with designated hand tool.

SPECIFICATION

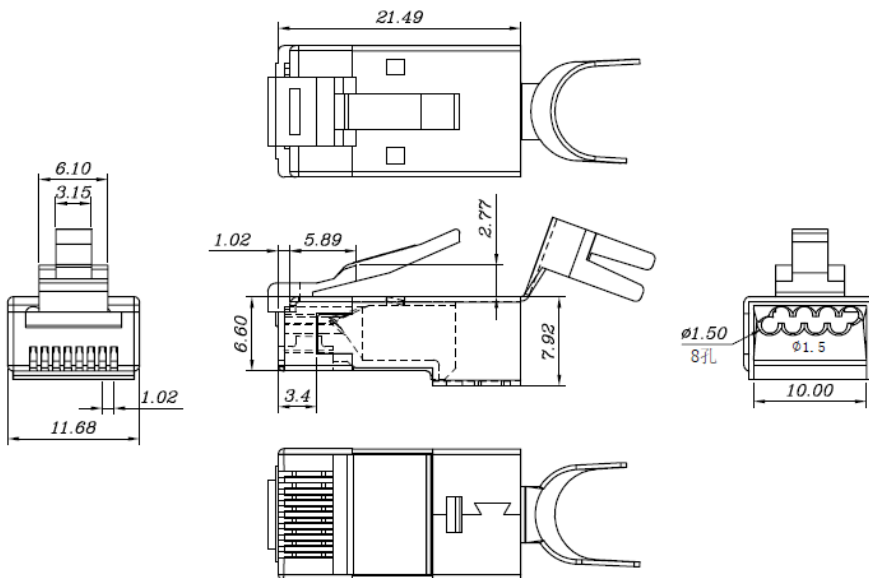
- Electrical: UL Applications complied (250 Volts AC Max at 2 AMPS)
- Dielectric withstanding Voltage: 1000 Volts AC. 60 Sec
- Insulation Resistance: 100 MΩ Max
- Operation Ambient Temp: -20°C to +75°C
- Strain Relief: 20 Pound Min.
- Durability: 1200 mating cycles
- Material: UL94 V-2



ORDERING PART NUMBER

CCP – C6P – S Cat6A RJ45 STP Plug (with Boot)

TECHNICAL DRAWING



The information and specification in this document are subjected to change without notice