

# PRODUCT SPECIFICATION

## CATEGORY 6 ULTRA SLIM RJ45 UTP PLUG

### INTRODUCTION

Lux's reliable, high-quality Category 6 RJ45 UTP Plug can be bundled with ultra-slim cable solution. This Cat6 RJ45 UTP plug works well with most common hand tool in the market with no special tool required.

### SPECIFICATION

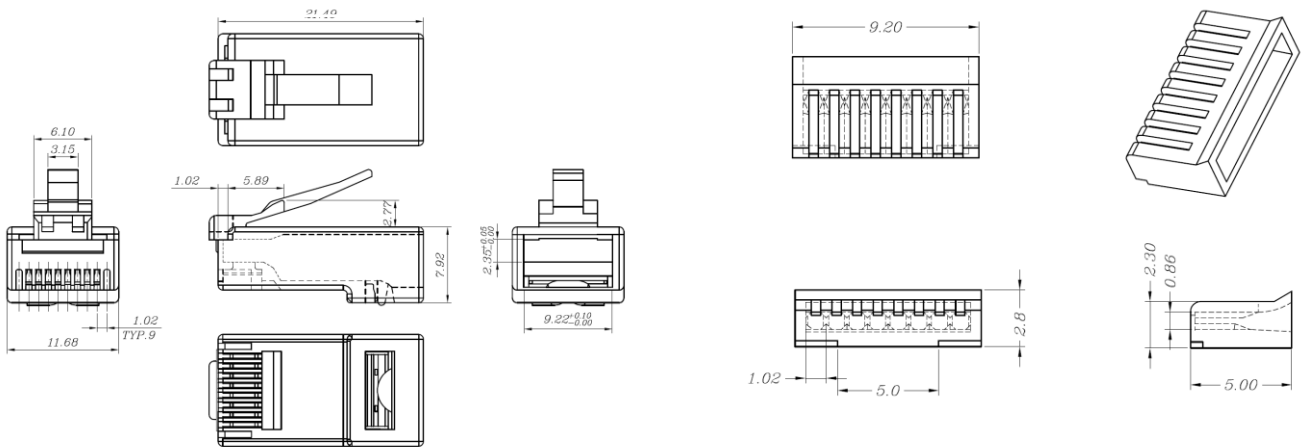
- Electrical: UL Applications complied (250 Volts AC Max at 2 AMPS)
- Dielectric withstanding Voltage: 1000 Volts AC. 60 Sec
- Insulation Resistance: 500 MΩ Max
- Operation Ambient Temp: -20°C to +75°C
- Strain Relief: 20 Pound Min.
- Durability: 1200 mating cycles
- Material: UL94 V-0
- Color: Transparent



### ORDERING PART NUMBER

CCP – C6P Cat6 Ultra Slim RJ45 UTP Plug (without boot)

### TECHNICAL DRAWING



The information and specification in this document are subjected to change without notice