

PRODUCT SPECIFICATION

CABLE LADDER SYSTEM



INTRODUCTION

The cable ladder system is designed to be used in Data Center and route the communication cables, such as telco, data, coaxial, and signaling cables between racks, cabinets or ODF. The system provides effective routing solutions to manage and protect cables easily. Lux's cable ladder can be tailor-made to your own specific requirements.

CABLE LADDER

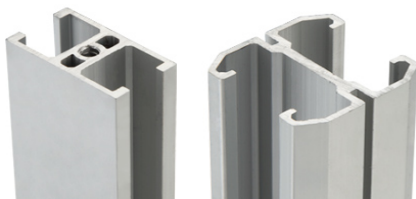
Lux offers aluminum and metal cable ladder in standard size with components to route and protect the communication cables. Other dimension of cable ladders are also available upon request.

ALUMINUM – CABLE LADDER

- Uniform Loading:**
- 150kg of mass on every 1.5m intervals; 5mm deformation
 - 195kg of mass on every 1.5m intervals; 7mm deformation

- Construction:**
- Main unit 34mmx34mm
 - Cross member 30x16mm

- Dimensions:**
- Wide: 50mm~1000mm
 - Length: 2000mm or 3000mm
 - Cross members at 300mm intervals
 - Tailor-made based on requirement



Section View Size
Cross Member: 30x16mm Main Unit 34x34mm

FEATURES

- Minimize cable damage
- Promote proper cable bend radius for better data transmission
- Easy and fast deployment
- Easy to expand, move and change
- Meet TIA/EIA installation guidelines for Category5e, 6, 6A and fiber optical cables

APPLICATIONS

- Telecommunication Rooms
- Equipment Rooms
- Data Centers

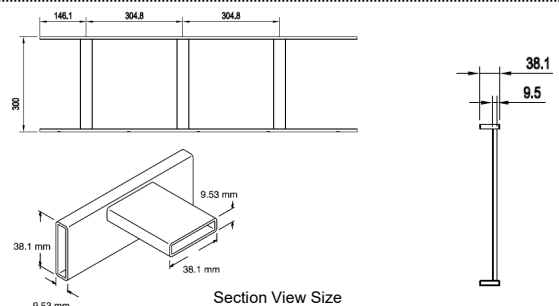
METAL – CABLE LADDER

- Uniform Loading**
- 60kg mass of every 1.5m intervals

- Powder Coated**
- Powder Coated with various colour

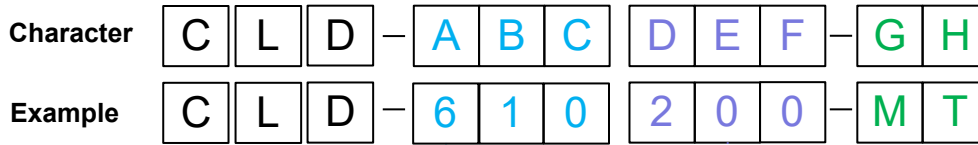
- Construction:**
- Main unit 38mmx9.5mm
 - Cross member 38mmx9.5mm
 - Cross welded at 300mm intervals

- Dimension:**
- Wide: 50mm~1000mm
 - Length: 2425.8mm
 - Cross members at 300mm intervals
 - Tailor made based on requirement



ORDERING PART NUMBER

Example: CLD-610300-MT-BL = Cable Ladder, 610(W)x2000(L)mm, Metal, Black



ABC – Width (mm)
050 = 50mm
100 = 100mm
150 = 150mm
200 = 200mm
300 = 300mm
380 = 380mm
400 = 400mm
460 = 460mm
500 = 500mm
600 = 600mm
610 = 610mm
760 = 760mm
910 = 910mm
(Example)

DEF – Length (mm)
200 = 2000mm
240 = 2425.8mm
300 = 3000mm
(Example)

GH – Material
AM = Aluminum
MT = Metal
(Example)

Notes

Please contact us for other configuration and customization