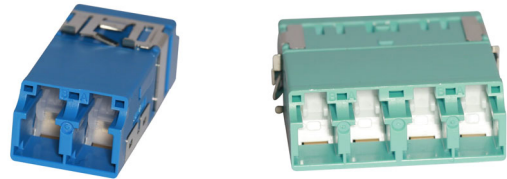


# PRODUCT SPECIFICATION

## LC ADAPTER WITH INNER SHUTTER

### INTRODUCTION

With increased high-powered active devices being used in today's networking and telecommunication platforms, eye safety and connector cleanliness are an absolute necessity. LUX's dust-proof LC adapter with Internal shutter has been proudly brought to this application. The inner shutter automatically opens when you insert LC connector, and closes as you extract it. Due to the special design of the shutter, it will not touch the ferrule end face when you insert the connector, thus preventing end-face damage and other contamination. The internal shutter also prevents eye exposure to lasers and provides protection from dust and other contaminants.



### TECHNICAL INFORMATION

|                            |  |
|----------------------------|--|
| <b>Reference Standards</b> | Telcordia, ANSI, TIA/EIA & IEC           |
| <b>Sleeve</b>              | High Precision Zirconia Sleeve (Ceramic) |
| <b>Insertion Loss</b>      | Max 0.3dB                                |
| <b>Durability</b>          | 500 times $\Delta \leq 0.2$ dB           |
| <b>Packaging</b>           | 12pcs/Bag                                |

### REFERENCE STANDARDS

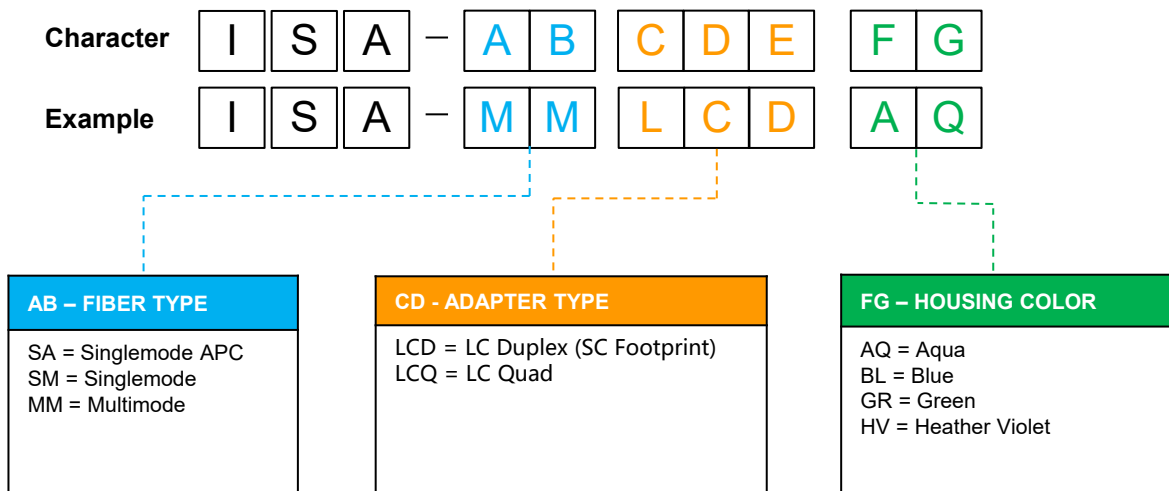
|   |                          |
|---|--------------------------|
| <b>Restriction of Hazardous Substances:</b> | REACH and RoHs Compliant |
| <b>Flammability:</b>                        | UL94V-0                  |

### FEATURES & BENEFITS

- Spring latch enhances dimensional stability
- Inner shutter improves contamination protection
- Automatic shutter mechanism without handling
- Visible light through the adapter with eye safety protection
- Compatible with standard LC connectors
- SC footprint for LC duplex
- Various housing color available

### ORDERING PART NUMBER

Example: ISA-MMLCDAQ = LC Duplex Multimode Aqua Adapter (with Inner Shutter)



The information and specification in this document are subjected to change without notice