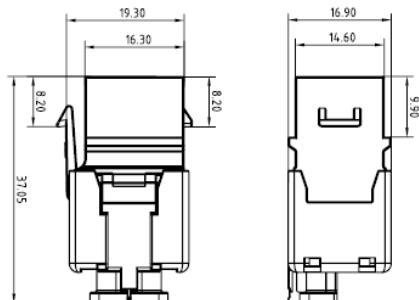


PRODUCT SPECIFICATION

CATEGORY 6 SHIELDED KEYSTONE JACK



INTRODUCTION

Lux's Cat6 Shielded Keystone Jack allows shielded cabling solution installation. They can be installed into faceplate, unloading shuttered module and shielded patch panel.

CAT6 SHIELDED KEYSTONE JACK

The keystone jack is for terminating 4-pairs shielded CAT6 cable. The keystone jack accepts 22-24 AWG cable with a universal color code labelled for T568A and T568B wiring schemes. It is also suitable for 22-24 AWG stranded and solid wire.

The CAT6 transmission performance is fully complied with the ISO 11801 Class E and ANSI/TIA/EIA 568 D.2 standard.

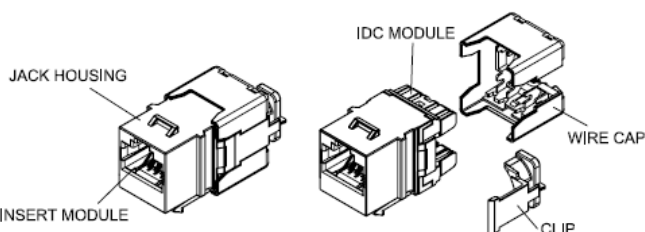
APPLICATIONS

- 10BASE-T (Ethernet)
- 100BASE-T (Fast Ethernet)
- 1000BASE-T (Gigabit Ethernet)

SPECIFICATIONS

Product Number:	CJS6X08-WH
Category:	CAT6
Housing:	Zinc-alloy fully shielded
Spring Wire:	Phosphor Bronze Alloy Plated With 50 micro-inch of Gold
IDC:	Phosphor Bronze Alloy With 100 micro-inch 100% Sn Alloy
Insertion / Extraction Life:	750 Cycles Minimum
Operation Temperature:	-10°C ~ +60°C
Electrical Characteristics :	Electrical insulation resistance: 500MΩ min. @ 100V d.c. Dielectric withstand voltage: 1000V d.c. Peak Contact to Contact @ 60Hz for 1min, 1500V d.c. a.c. Peak Contact to Contact @ 60Hz for 1 minute

The information and specification in this document are subjected to change without notice



FEATURES

- Conforms to Category 6 standards
- Accepts 22-24 AWG solid or stranded cable copper conductor
- Universal labels color coded for TIA568A and TIA568B wiring schemes
- LSA compatible IDC
- 25-year system warranty available

REFERENCE STANDARDS

- RoHs/REACH complied
- TIA/EIA-568-D.2; ISO 11801 Class E