

# PRODUCT SPECIFICATION

## 1U Brush Panel

### OVERVIEW

Lux's 1U 19-inch Brush Panel organizes and protects the server rack cabinet by easily keeping dust and dirt away and providing enough space for airflow to pass between the rack and open spaces. Also helps prevent equipment from overheating and ensures optimal thermal performance.



### FEATURES

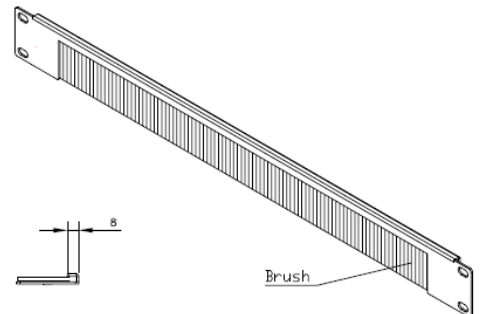
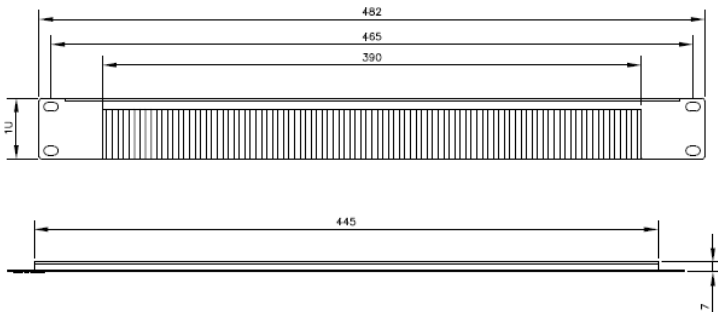
- Reduce dust accumulation near the server equipment
- Dense nylon brush strip to separate and organize cables
- Cover unused rack space to increase efficiency of the cooling system
- High-quality steel to prevent rust, oxidation, scratches, corrosion
- Easy to mount on standard EIA 19" racks or cabinets
- Enhance the appearance and aesthetic of the racks

### SPECIFICATIONS

<b>Description:</b>	1U Brush Panel
<b>Material:</b>	SPCC
<b>Color:</b>	Black
<b>Dimensions:</b>	482mm(19")(L) x 44.45mm (1.75")(H)

### PRODUCT NUMBER

BR1U-P = 1U Brush Panel



The information and specification in this document are subjected to change without notice